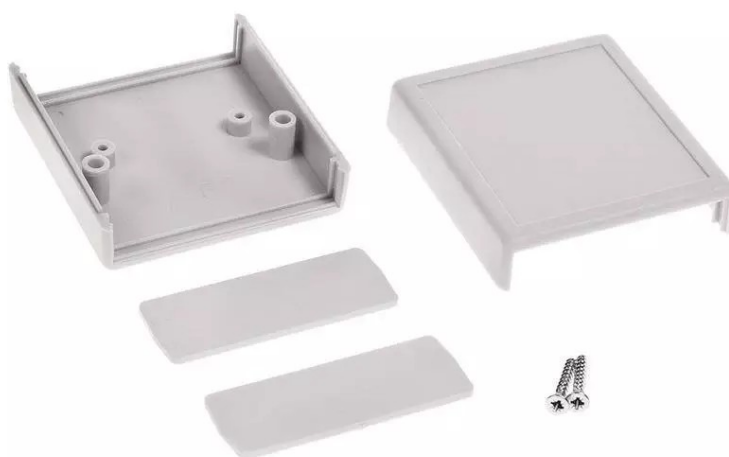
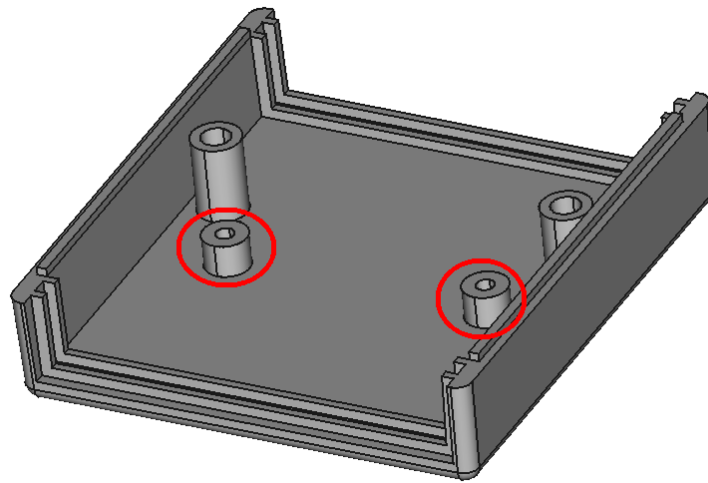


Linumeric-LPT V3 case EN

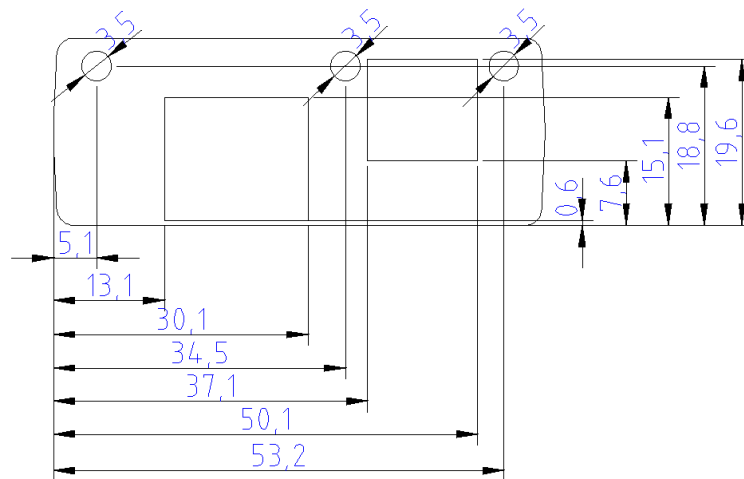
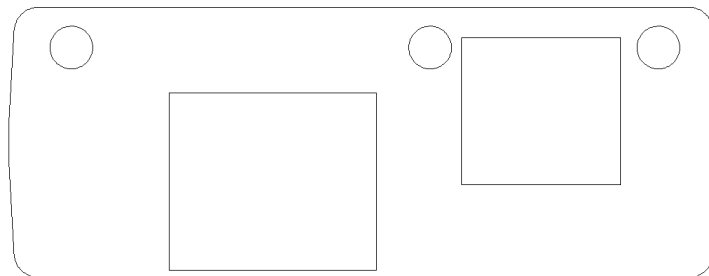
A universal housing marked Kradex Z-67 was used as the housing for the device (63mm x 69mm x 29mm)

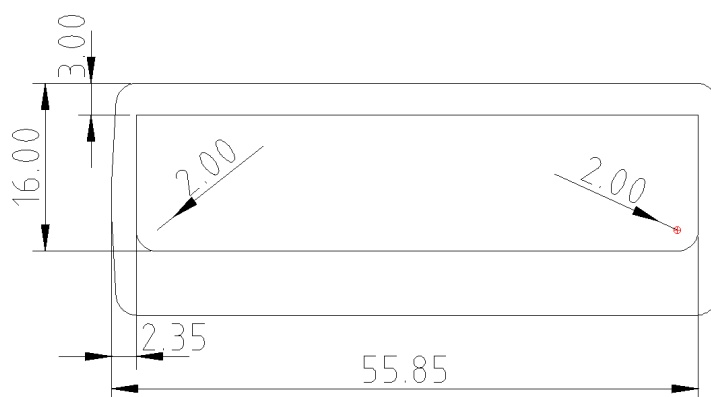


In the housing, remove 2 posts dedicated to screwing



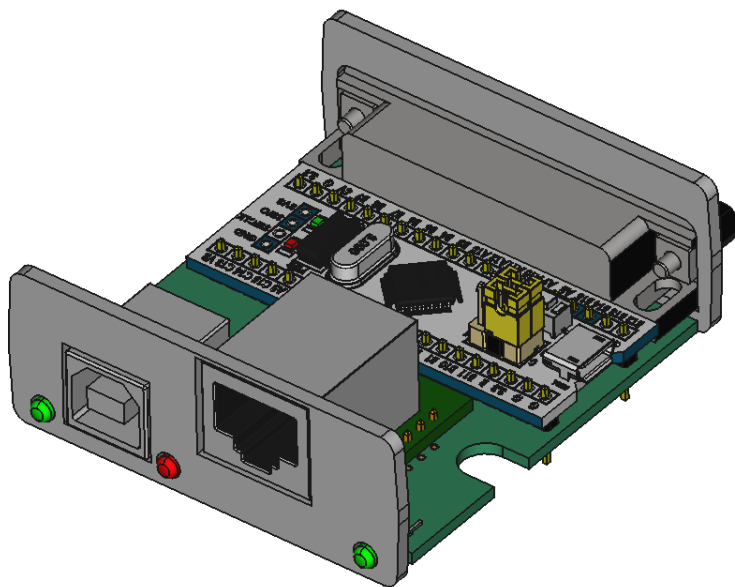
And cut out holes for connectors and diodes in the front and rear panels (dimensions in mm).



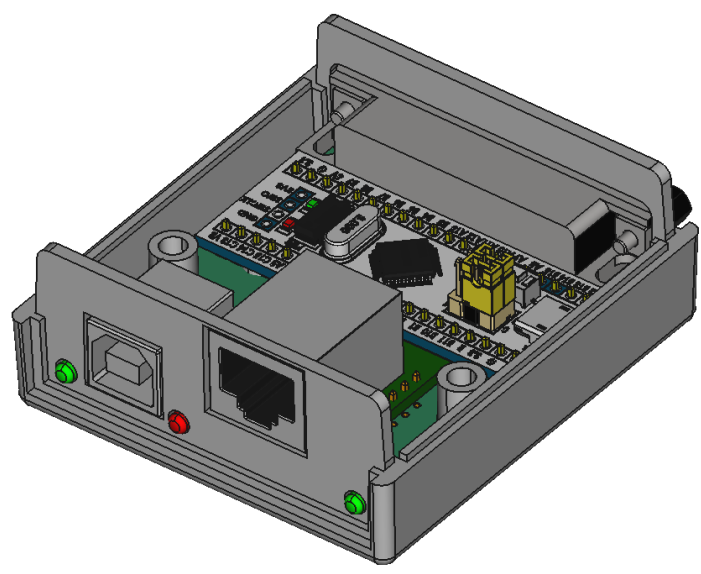


Drawings for making the casing can be downloaded from:
<https://machmaker.pl/data/files/Linumeric-LPTV3-case.zip>

Slide the front and rear panels onto the device slots



Slide into the housing



Close the housing with the second part and tighten the screws

